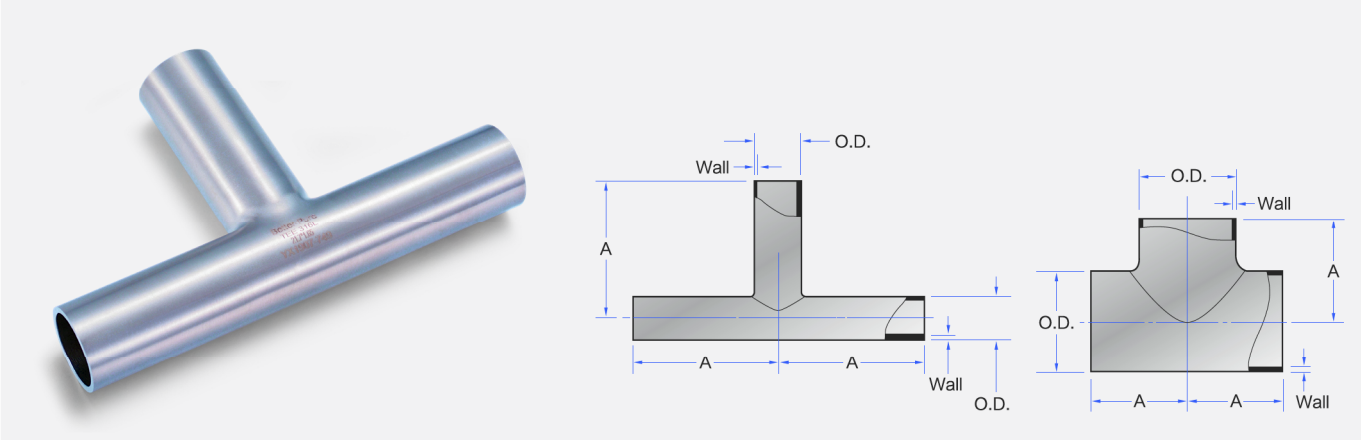


**EQUAL TEE 等径三通**



Pipe Size (A Size)										Unit : mm
Size	8A	10A	15A	20A	25A	32A	40A	50A	65A	
A	42.0	49.0	59.0	65.0	68.0	88.0	95.0	102.0	121.0	
Size	80A	100A	125A	150A	200A	250A	300A	350A	400A	
A	130.0	145.0	160.0	170.0	190.0	230.0	267.0	293.0	318.0	

Tube Size (Inch Size)											
Size	1/4"	3/8"	1/2"	3/4"	1"	1-1/2"	2"	2-1/2"	3"	4"	6"
A	45	45	45	52	55	74	77	90	97	110	160

**MANUAL WELDING EQUAL TEE 手焊 - 等径三通**

Pipe Size (A Size)									Unit : mm
Size	15A	20A	25A	32A	40A	50A	65A	80A	
A	25.4	28.6	38.1	47.6	57.2	63.5	76.2	85.7	
Size	100A	125A	150A	200A	250A	300A	350A	400A	
A	104.8	123.8	142.9	177.8	215.9	254.0	279.4	304.8	